

PAMS Technical Documentation

RAE-3NU* Series PDA

11. Disassembly and Service Instructions

AMENDMENT RECORD SHEET

Amendment Number	Date	Inserted By	Comments
	03/2002	OJuntunen	

CONTENTS –Troubleshooting

	Page No
Disassembly instructions	11– 4
Test Points	11– 15

Disassembly instructions



Figure 1. Remove the cover label from the front cover assembly



Figure 2. Remove the 2 pcs screws from the front cover assembly



Figure 3. Remove the front cover assembly from the Screen frame.



Figure 4. Remove the CMT keymat from the UI module.



Figure 5. Remove the 2 screws from the Screen Frame.

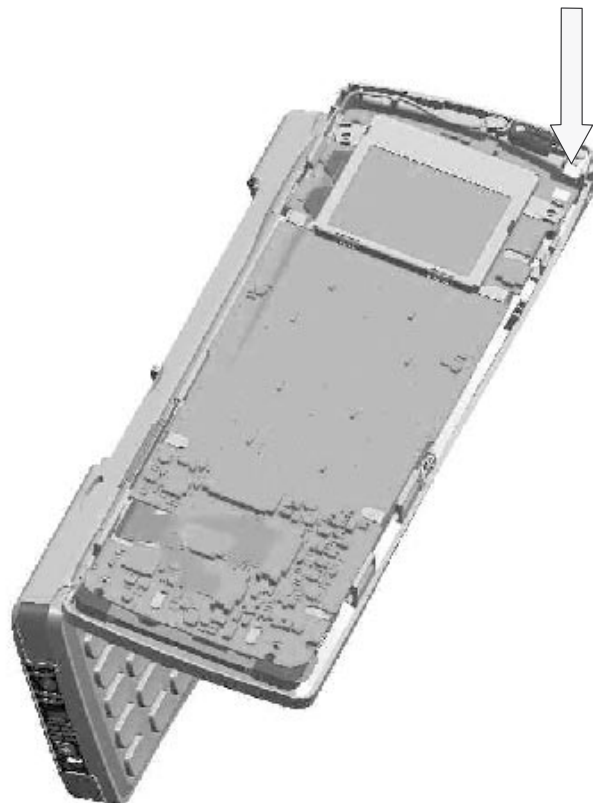


Figure 6. Remove the coaxial cable from the UI PWB.

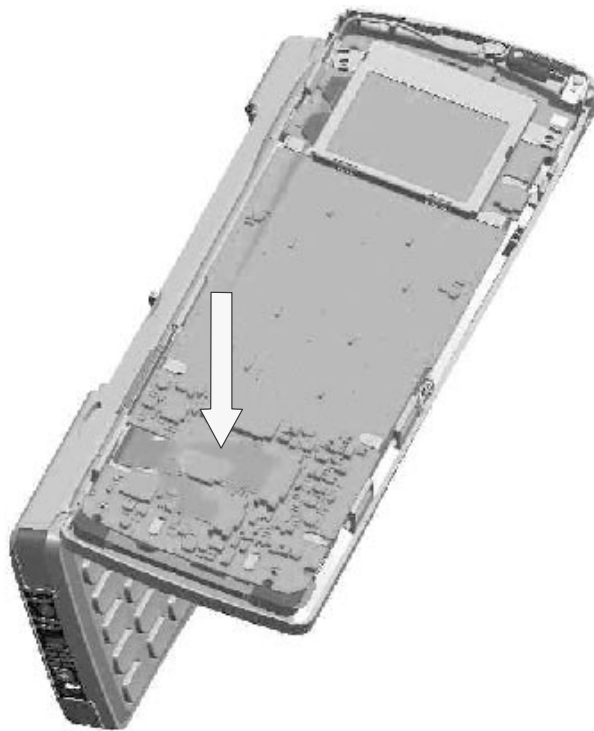


Figure 7. Remove the QWERTY flex from the UI PWB.

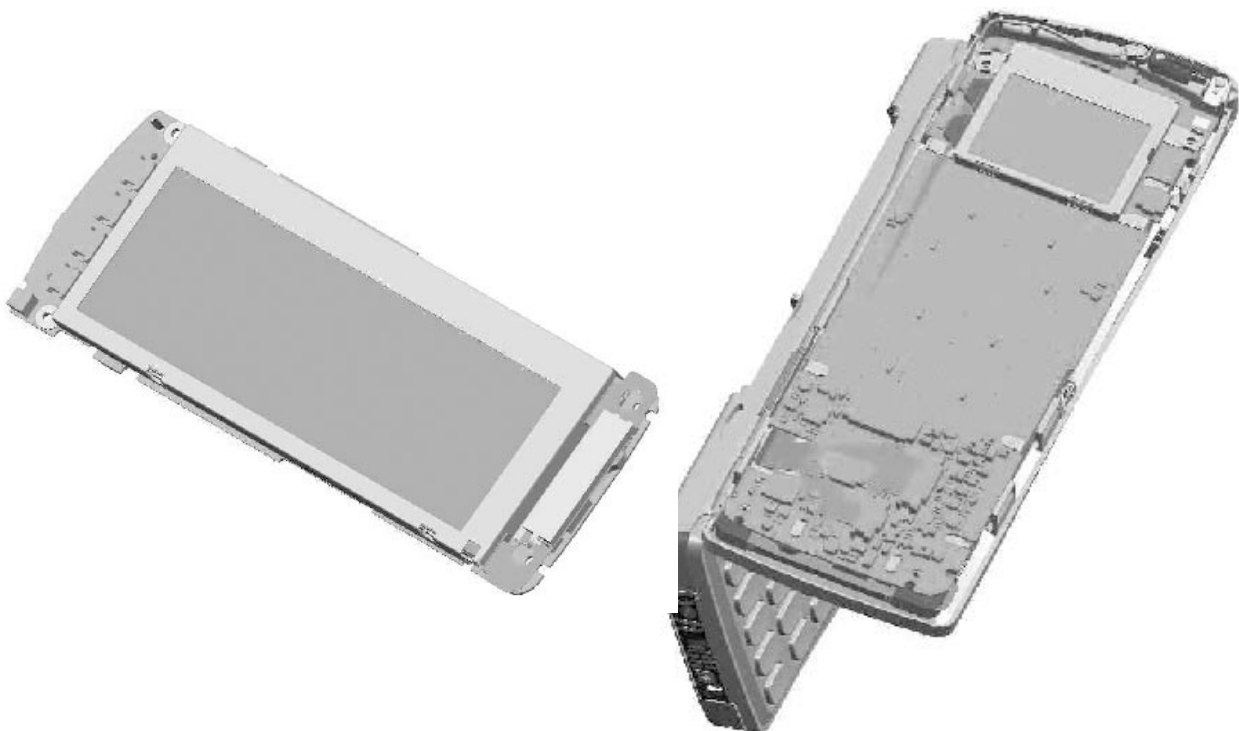


Figure 8. Remove the UI module from the Screen frame.

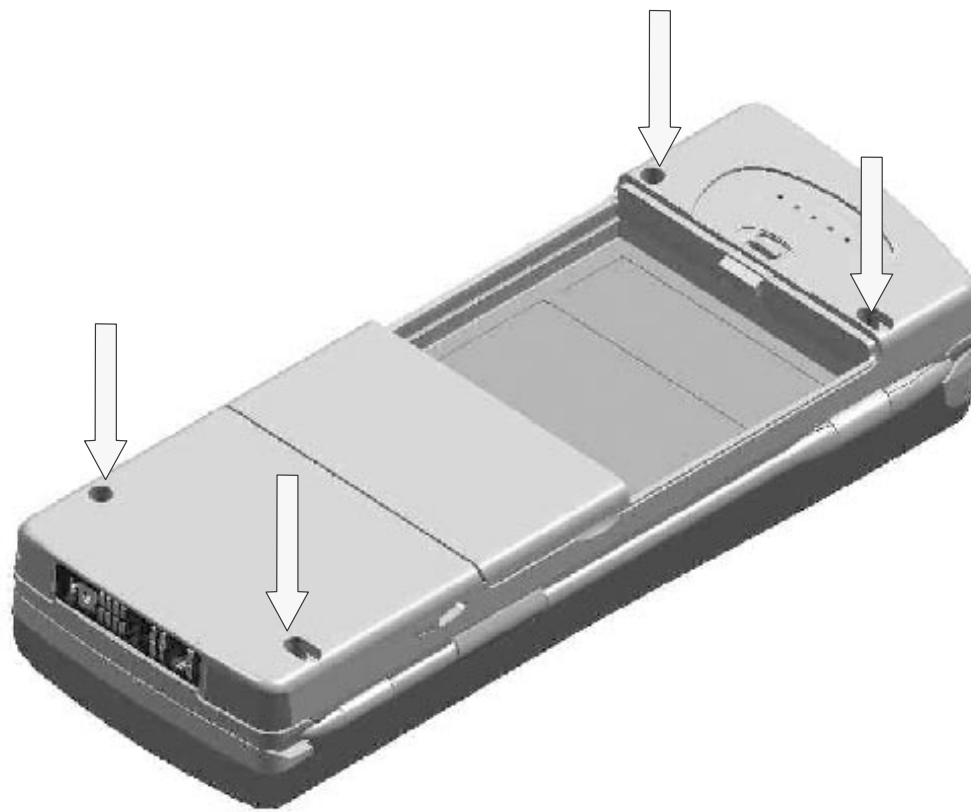


Figure 9. Remove the 4 plugs from the Back cover assembly.

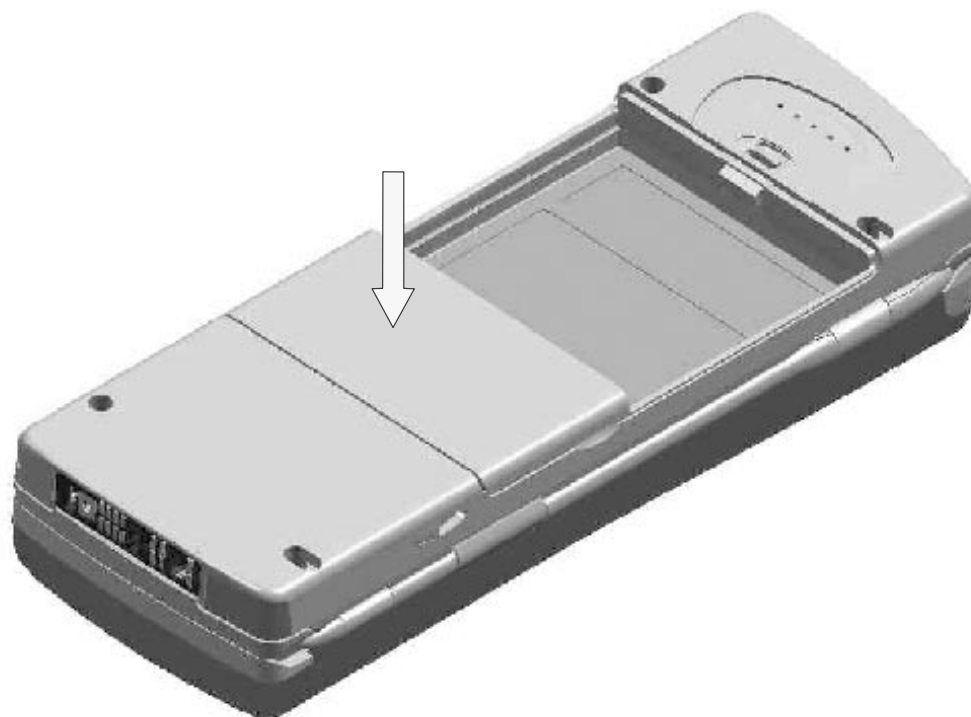


Figure 10. Remove the card cover from the Back cover assembly.

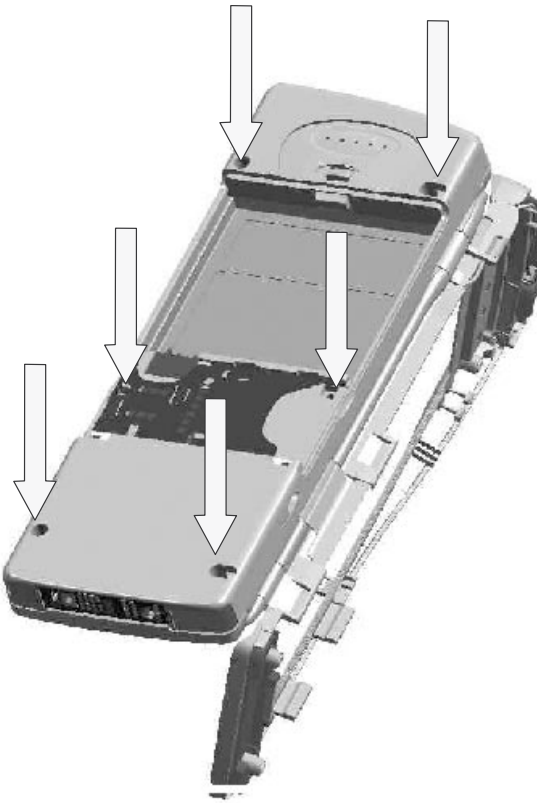


Figure 11. Remove the 6 screws from the back cover assembly.

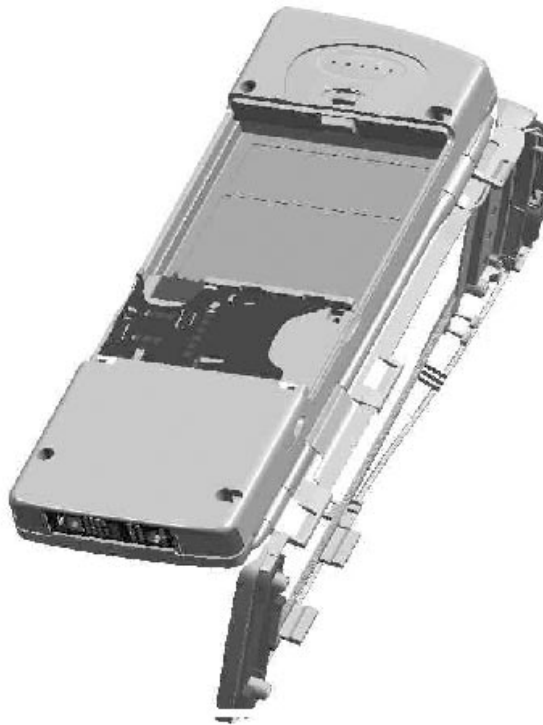


Figure 12. Remove the back cover assembly from the frame.

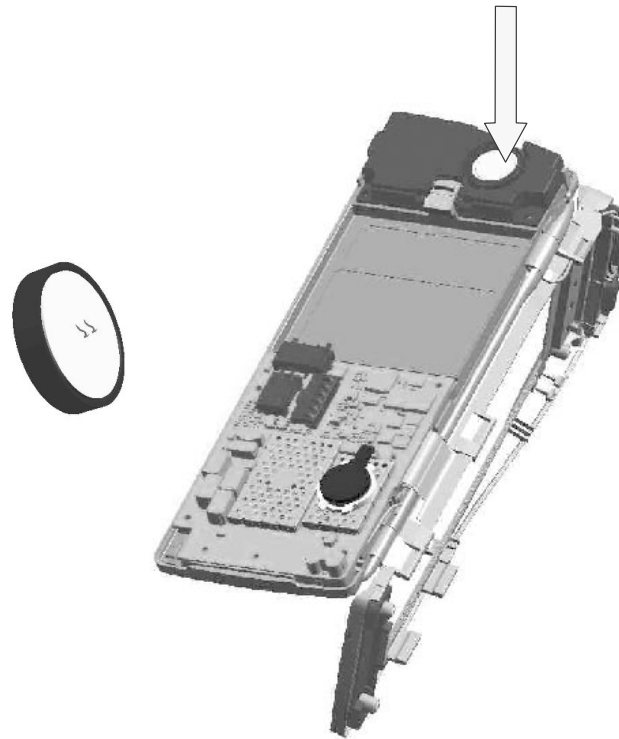


Figure 13. Remove the earpiece and its gasket from the audio holder assembly.

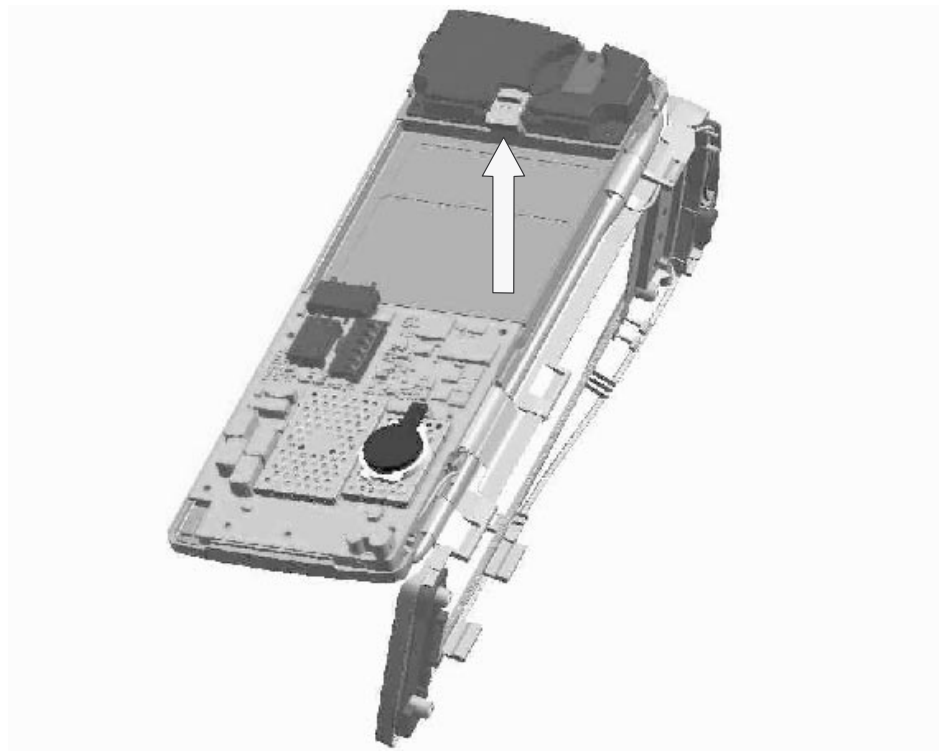


Figure 14. Remove the battery latch from the audio holder assembly.

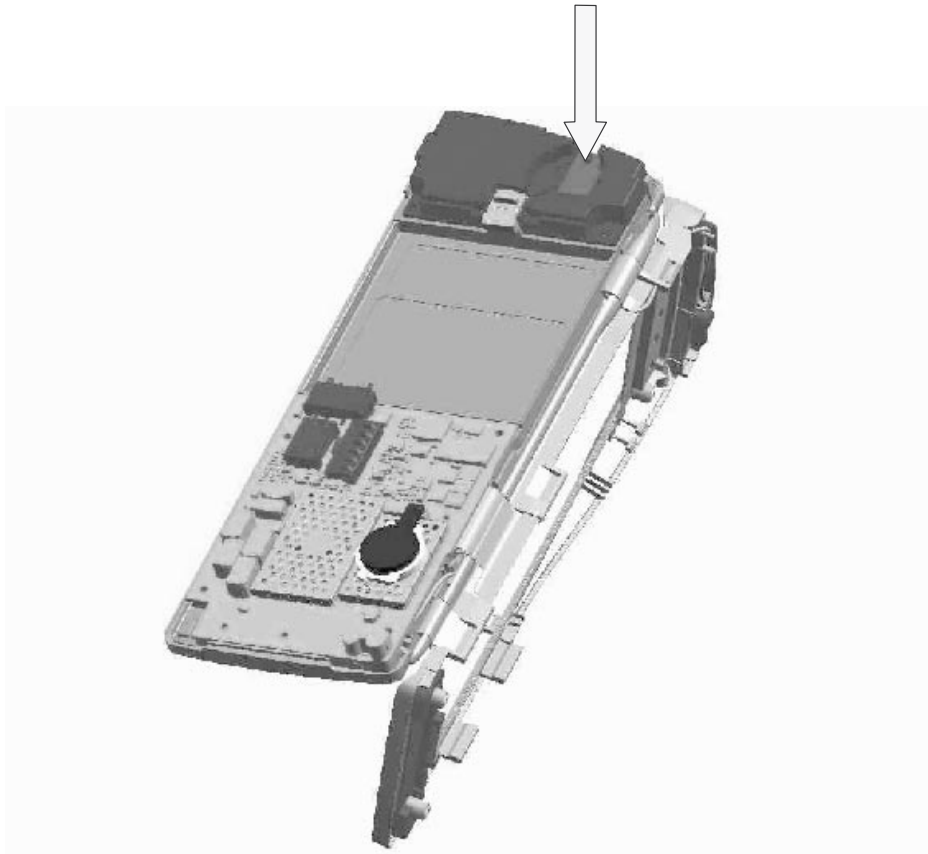


Figure 15. Remove the extension of the QWERTY flex from the audio holder assembly.

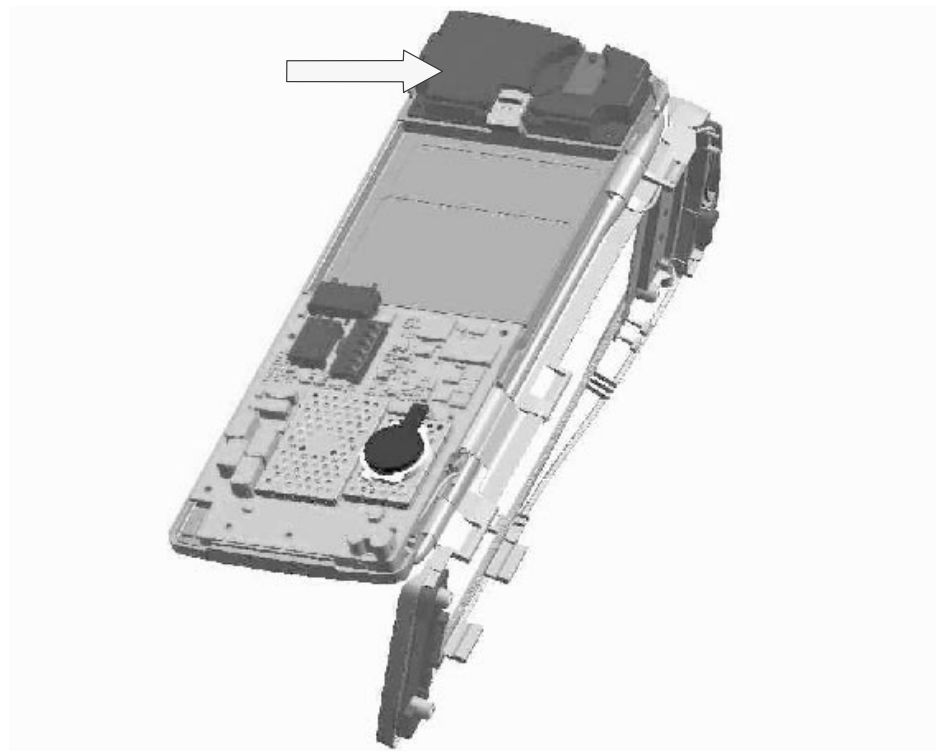


Figure 16. Remove the audio holder assembly from the chassis assembly.

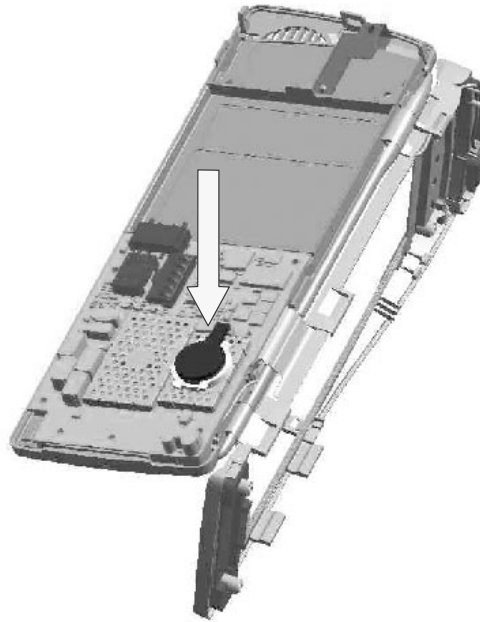


Figure 17. Remove the backup battery from BL8.

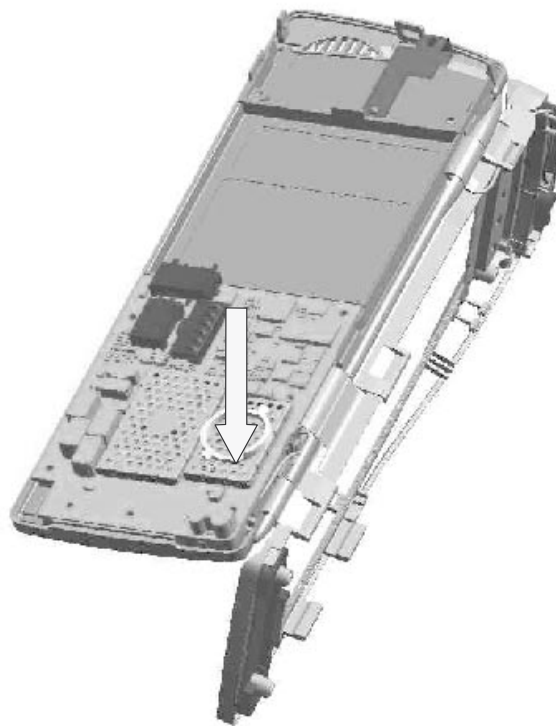


Figure 18. Remove the coaxial cable from BL8.

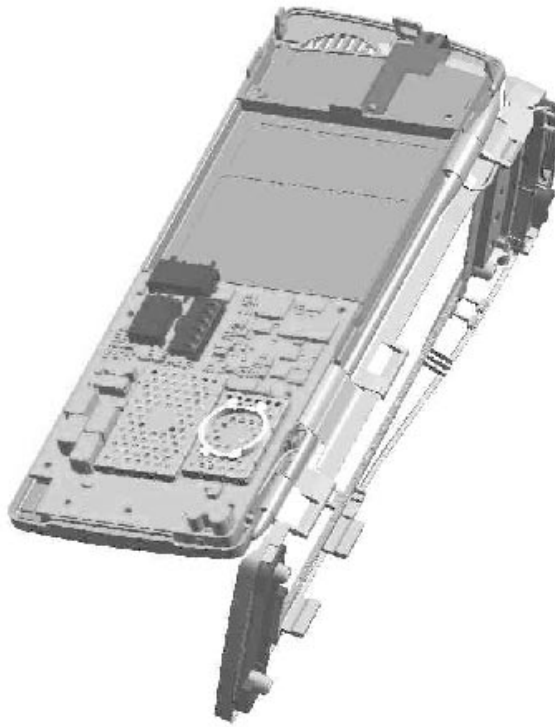


Figure 19. Remove the BL8 from Chassis assembly.

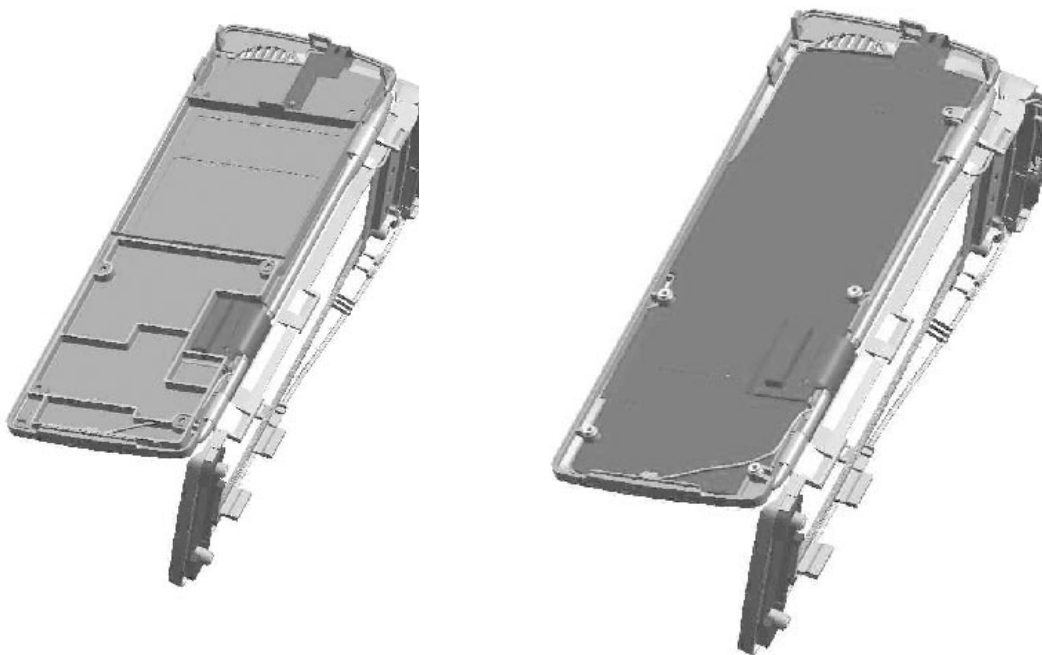


Figure 20. Remove the chassis assembly and the Qwerty flex UL8 from the frame.

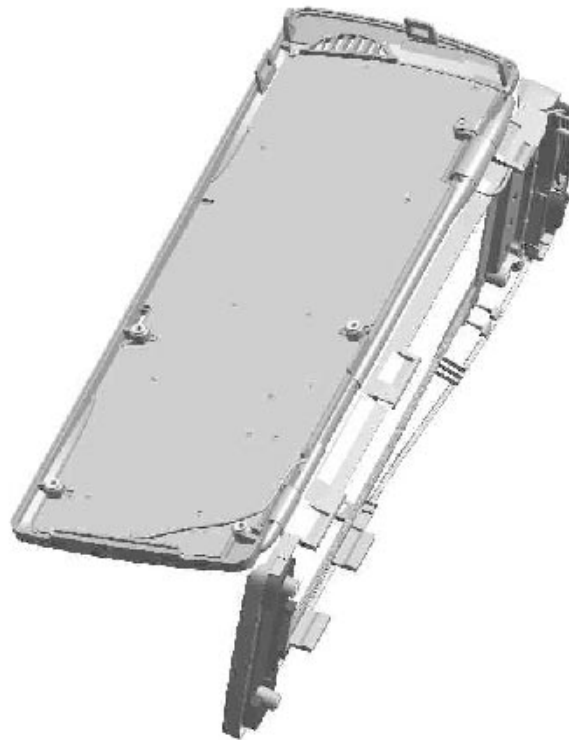


Figure 21. Remove the QWERTY keymat from the frame.



Figure 22. Frame assembly.

Test Points of KL8 module

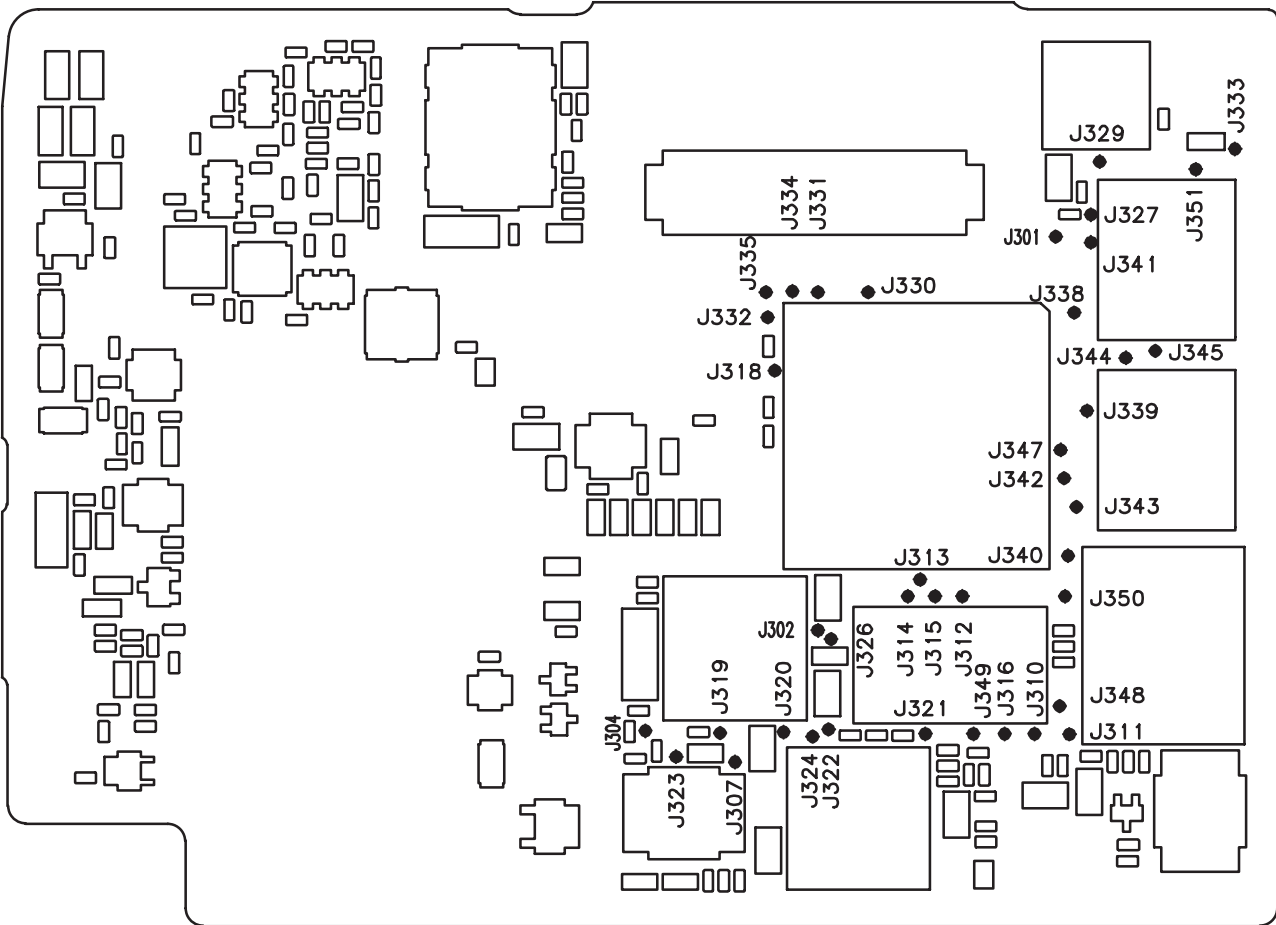


Figure 23. KL8 test points, bottom

Table 1. System HW test points KL8_05

Test point	Signal	PWB side	Notes
J301	ExtSysResetX	Bottom	
J302	VCXOPWR	Bottom	
J304	PURX	Bottom	
J307	PCMTxData	Bottom	
J310	SDRCLK	Bottom	
J311	SDRCKE	Bottom	
J312	SDRRASX	Bottom	
J313	SDRCASX	Bottom	
J314	SDRWEX	Bottom	
J315	SDRQML	Bottom	
J316	SDRDQMU	Bottom	
J318	GENSCLK	Bottom	
J319	SynthPWR	Bottom	
J320	TxPA	Bottom	

Table 1. System HW test points KL8_05 (continued)

Test point	Signal	PWB side	Notes
J321	COBBARSTX	Bottom	DSPGenOut0
J322	COBBACLK	Bottom	
J323	COBBACSX	Bottom	
J324	COBBASDa	Bottom	
J326	COBBAIDa	Bottom	
J327	SEPClk	Bottom	
J329	SEP0	Bottom	
J330	CoEmu0	Bottom	
J331	CoEmu1	Bottom	
J332	JTRst	Bottom	
J333	JTDI	Bottom	
J334	JTCIk	Bottom	
J335	JTMS	Bottom	
J338	FLCS0X	Bottom	
J339	FLCS1X	Bottom	
J340	FLCS2X	Bottom	
J341	FLOEX	Bottom	
J342	FLWEX	Bottom	
J343	FLRPX	Bottom	
J344	FLADVX	Bottom	
J345	FLCLK	Bottom	
J347	FLWPX	Bottom	MPUGenIO1
J348	SDRAd6	Bottom	
J349	SDRDa8	Bottom	
J350	FLAd5	Bottom	
J351	FLDa7	Bottom	

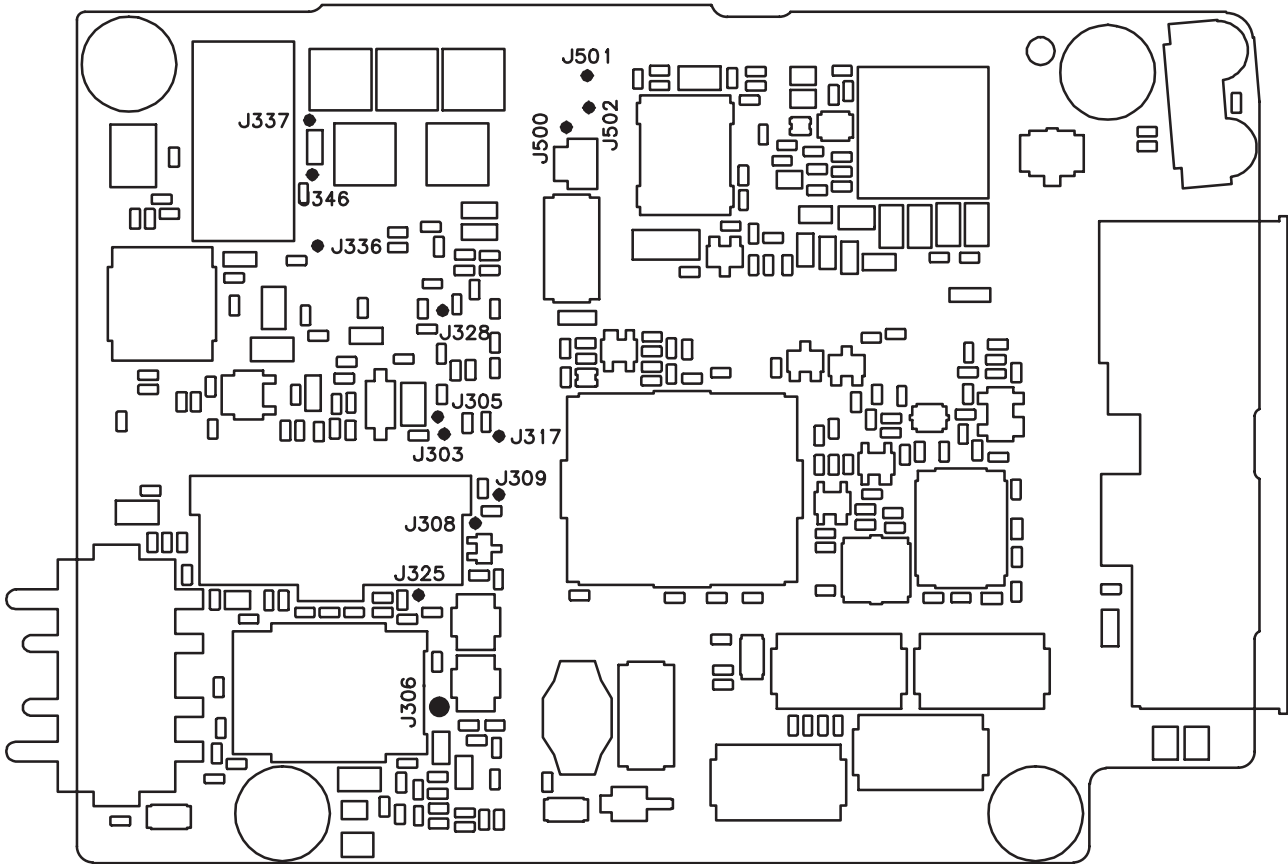


Figure 24. KL8 test points, top

Table 2. System HW test points KL8_05

Test point	Signal	PWB side	Notes
J303	SLEEPclk	Top	Clk32k
J305	CCONTINT	Top	
J306	PCMSClk	Top	
J308	PCMRxData	Top	
J309	PCMDClk	Top	
J317	CCONTCSX	Top	
J325	COBBAQDa	Top	
J328	SEPI	Top	
J336	JTDO	Top	
J337	SEPCSX	Top	
J346	SER_FL_RPY	Top	MPUGenIO2
J500	SDATA	Top	SynthData, test point in RF sheet
J501	SCLK	Top	SynthClk, test point in RF sheet
J502	SENA1	Top	SynthEna1X, test point in RF sheet

This page intentionally left blank.